

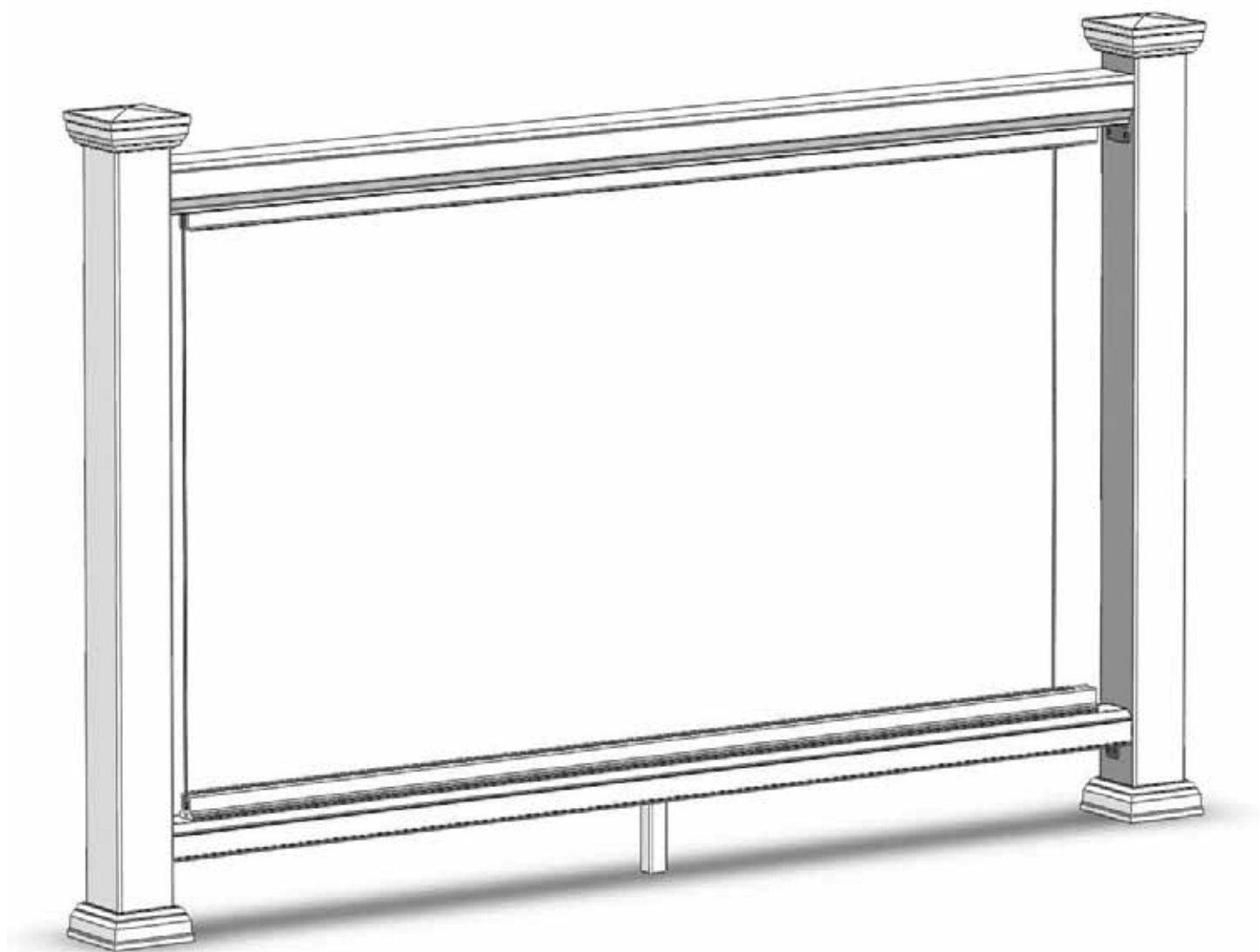
fiberon

Horizon® Railing

Ultra Low Maintenance Composite Railing

ClearVisionSystem®

INSTALLATION INSTRUCTIONS



fiberon
The Decking Solutions Company

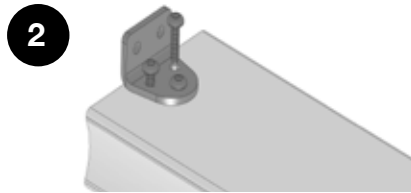
www.fiberondecking.com
800.573.8841



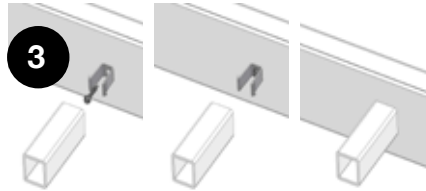
Cut top & bottom guardrails to proper length, making sure to center the existing routed hole pattern evenly.

Allow 1/32"-1/16" between vertical flat leg of bracket and end of rail to ensure the rail will snug tightly when secured.

Use the bracket as a template and predrill all holes.



Secure bracket with (3) supplied 3/4" screws.

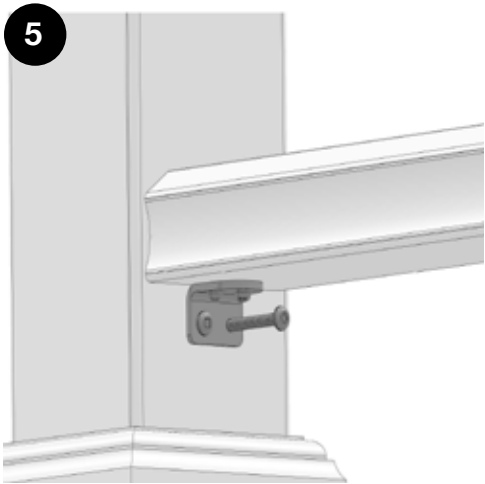


Center the Crush Block Bracket on the underside of the bottom rail. Secure using the supplied self-drilling #8 x 1" screw. Slide Crush Block over bracket. (NOTE: it may be necessary to spread the bracket wider to properly hold the Crush Block).

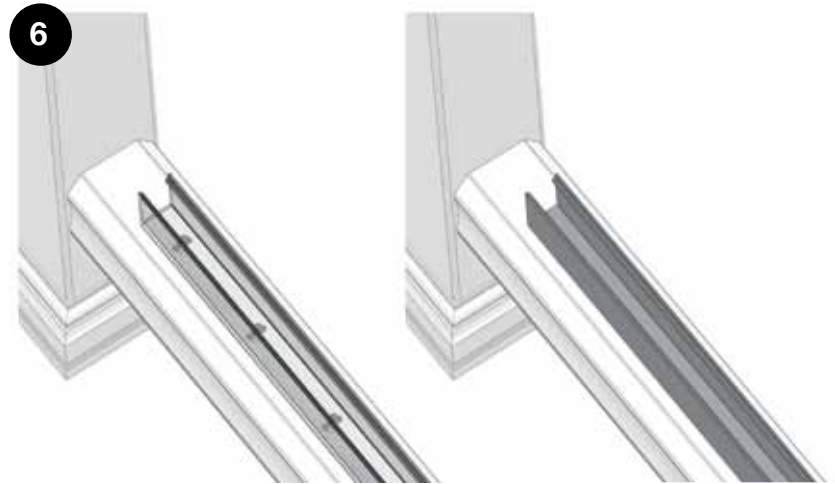


TIP: Install post cove molding at this time.

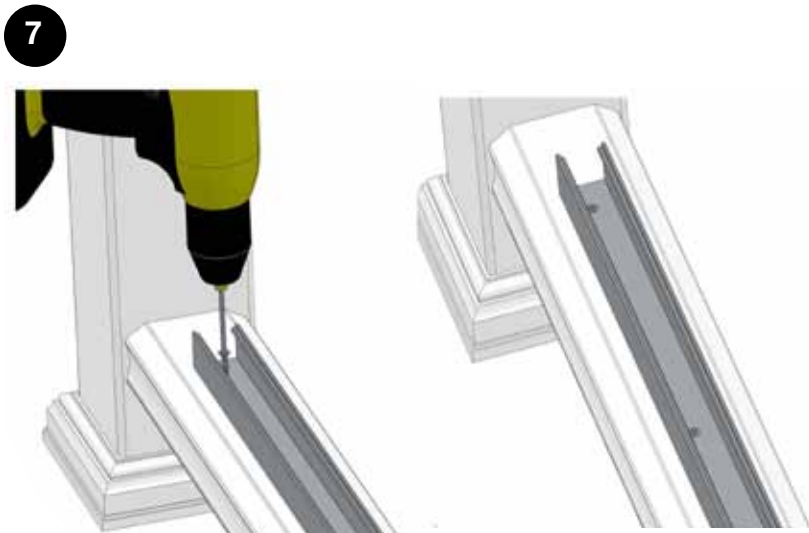
Level bottom rail and predrill holes by using the bracket as a template, or mark with pencil.



Secure bottom rail to posts using supplied 2" screws.



Center aluminum CVS rail on bottom rail across the face and end-to-end. Allow a minimum of 3" from end of CVS rail to post, but not more than 4", to allow for air/wind flow-through.

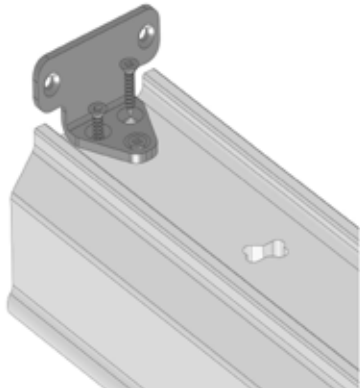


Secure aluminum CVS rail using supplied self drilling #10 x 3/4" screws.



Allow 1/32"-1/16" from vertical leg of bracket to end of top rail, and predrill hole locations using the bracket as a template.

9



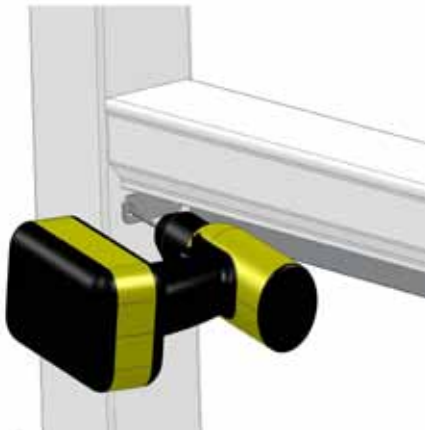
Secure top bracket to top rail.

10



Center the top aluminum CVS rail, and secure using supplied #10 x 3/4" self drilling screws.

11



Measure 30" up from the top of the bottom rail and mark a light line. Align the bottom or the top rail with the line, and predrill the holes.

12



Secure top rail to post using supplied 2" screws.

13

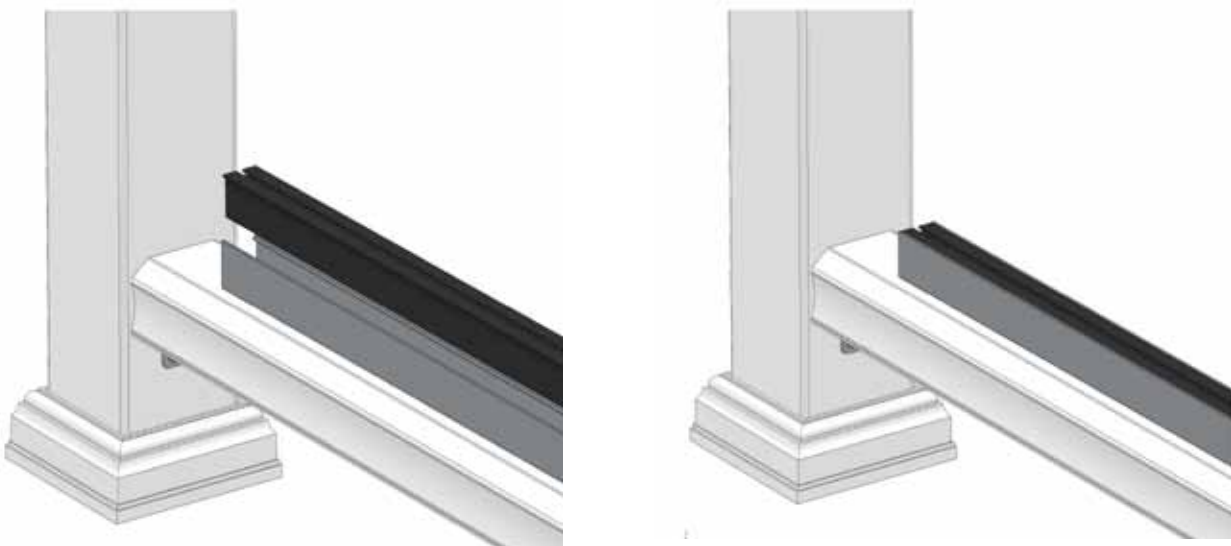


Top Channel



Bottom Channel

14



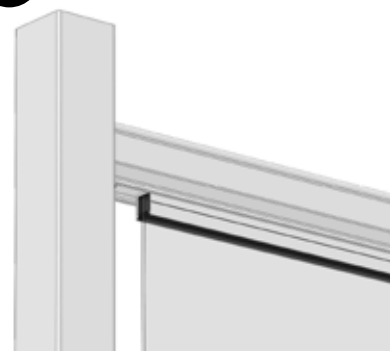
Insert the bottom CVS receiving channel into the bottom aluminum CVS rail. An audible "click" should be heard when properly inserted.

15



Insert the top CVS receiving channel into the top aluminum CVS rail. An audible “click” should be heard when properly inserted.

16



Install the acrylic panel by starting at one end and fully inserting the panel into the pocket of the top receiving channel.

Work towards the other end inserting the panel fully end-to-end.

17



When properly inserted, the acrylic panel should hover just slightly above the bottom CVS receiving channel.

18



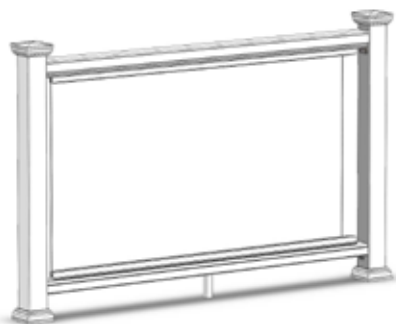
Starting from one end, pull the acrylic panel downward to fully insert into the bottom CVS receiving channel.

19



When properly seated in the bottom rail there should be roughly 3/8" space above the top of the acrylic panel.

20



Complete the installation by gluing on the post caps.

NOTES: